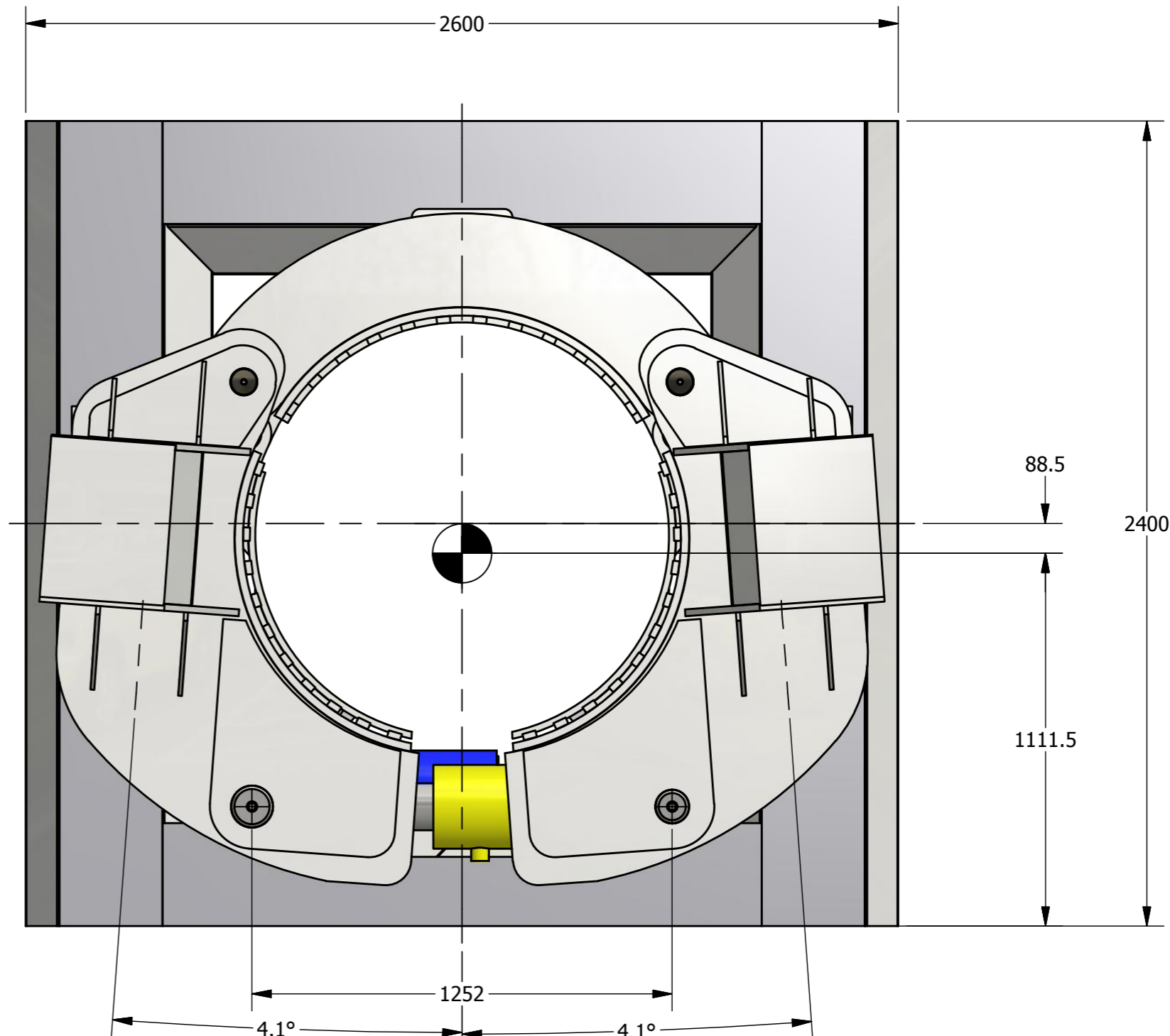
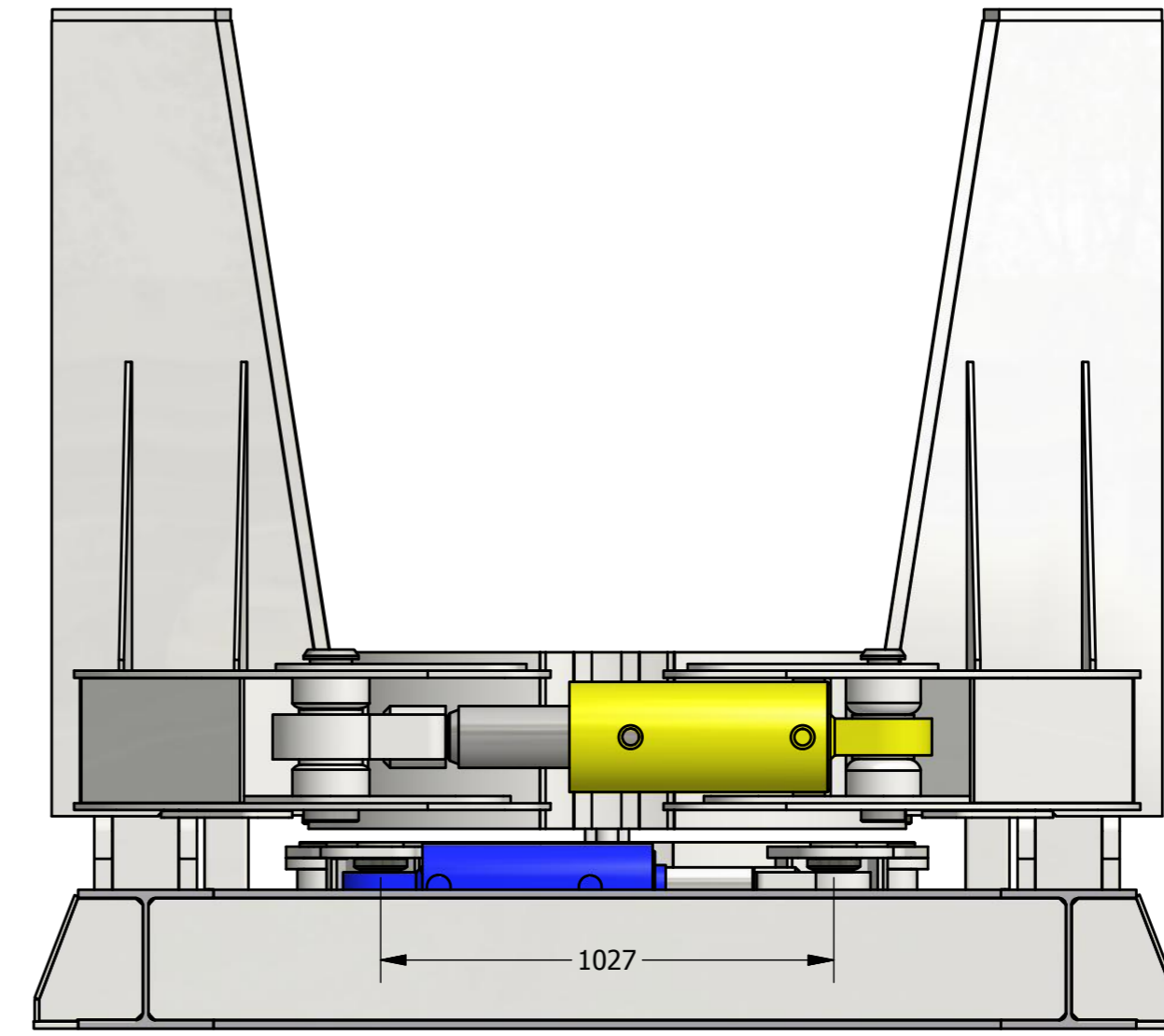
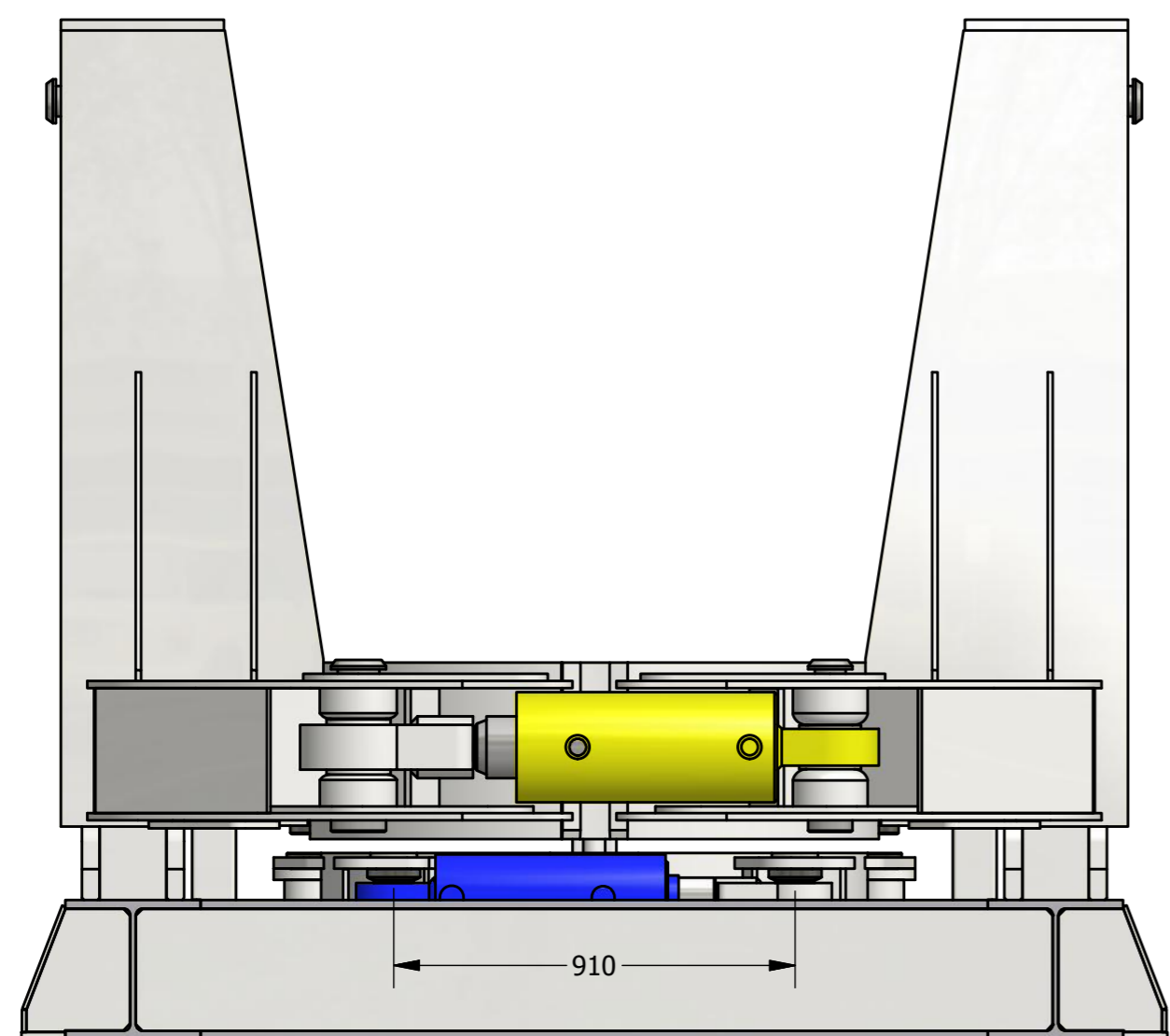


CENTRE OF GRAVITY (CLOSED CLAMPS)



CENTRE OF GRAVITY (OPENED CLAMPS)



TOTAL MASS: 6300 Kg

	Designed by: Ata. Ataabady	Drawn by: Ata. Ataabady	Checked by: TIM SCHLEBAUM	Approved by - date	Date Completed:	Drawing No:
	Project No: 0000	Contract No:	Scale: (on A2) As noted.	REV 3 13/03/2013	6/02/2013	2013/0000/553
Project:			Description: CASING EXTRACTOR			