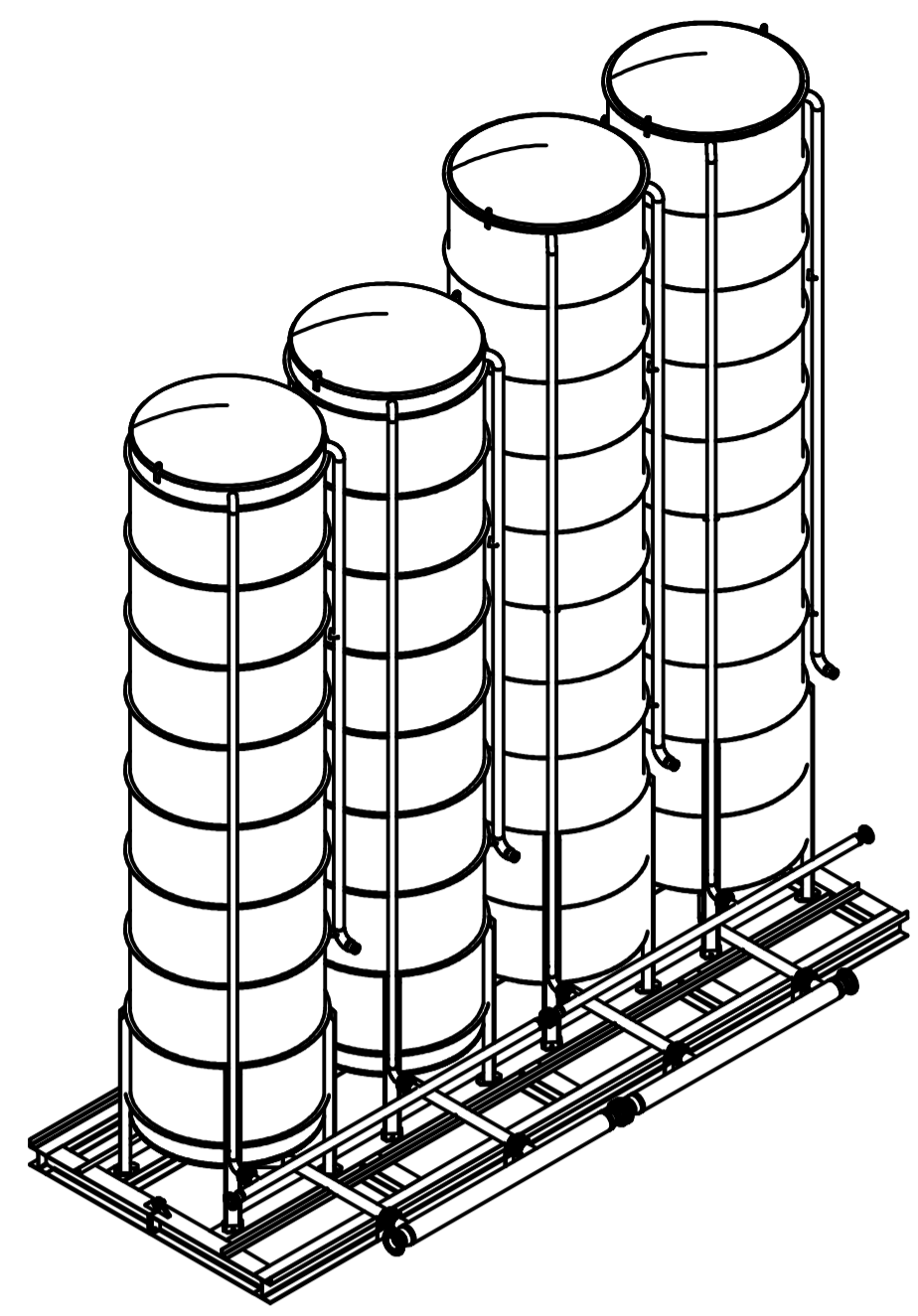
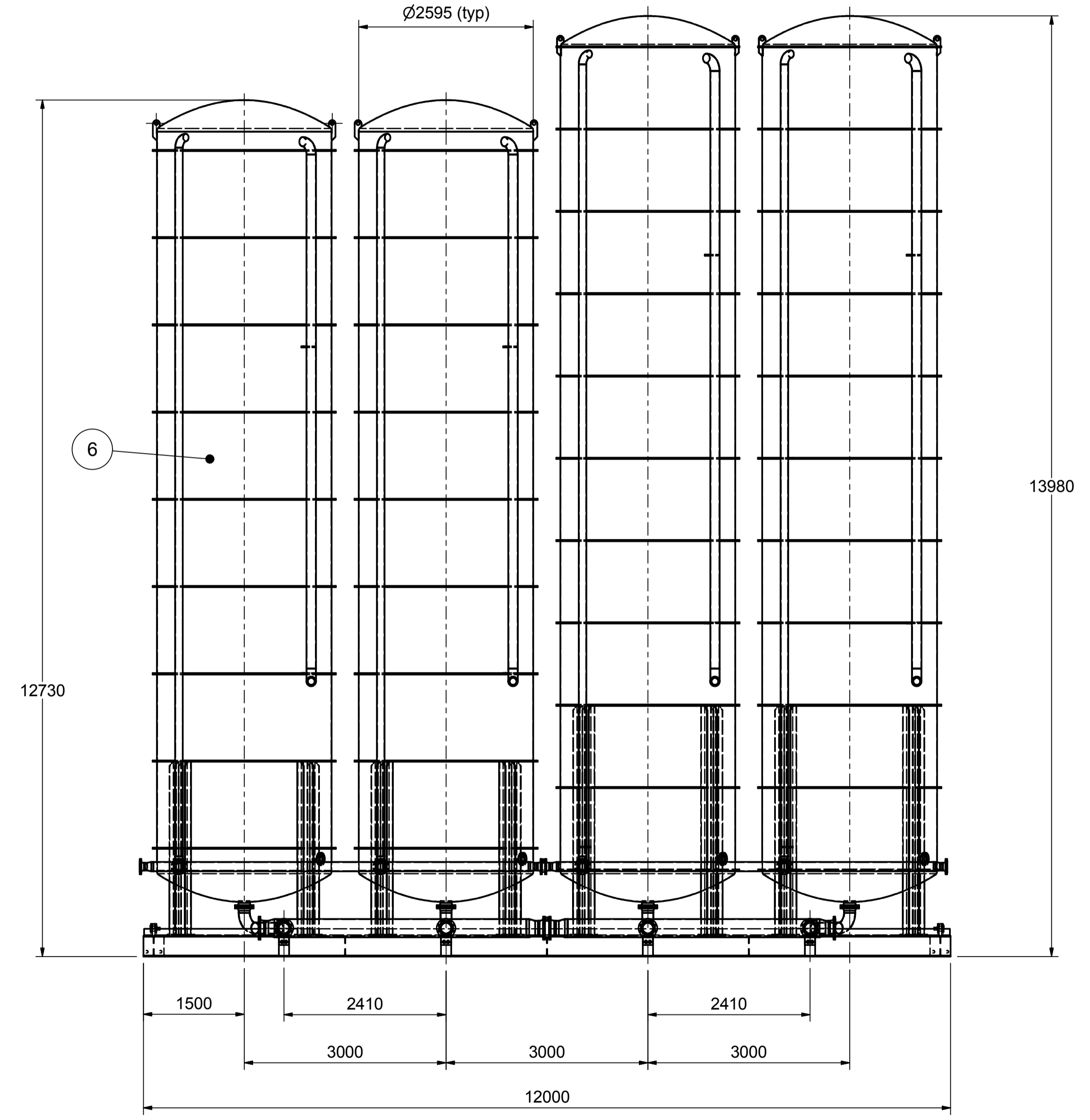
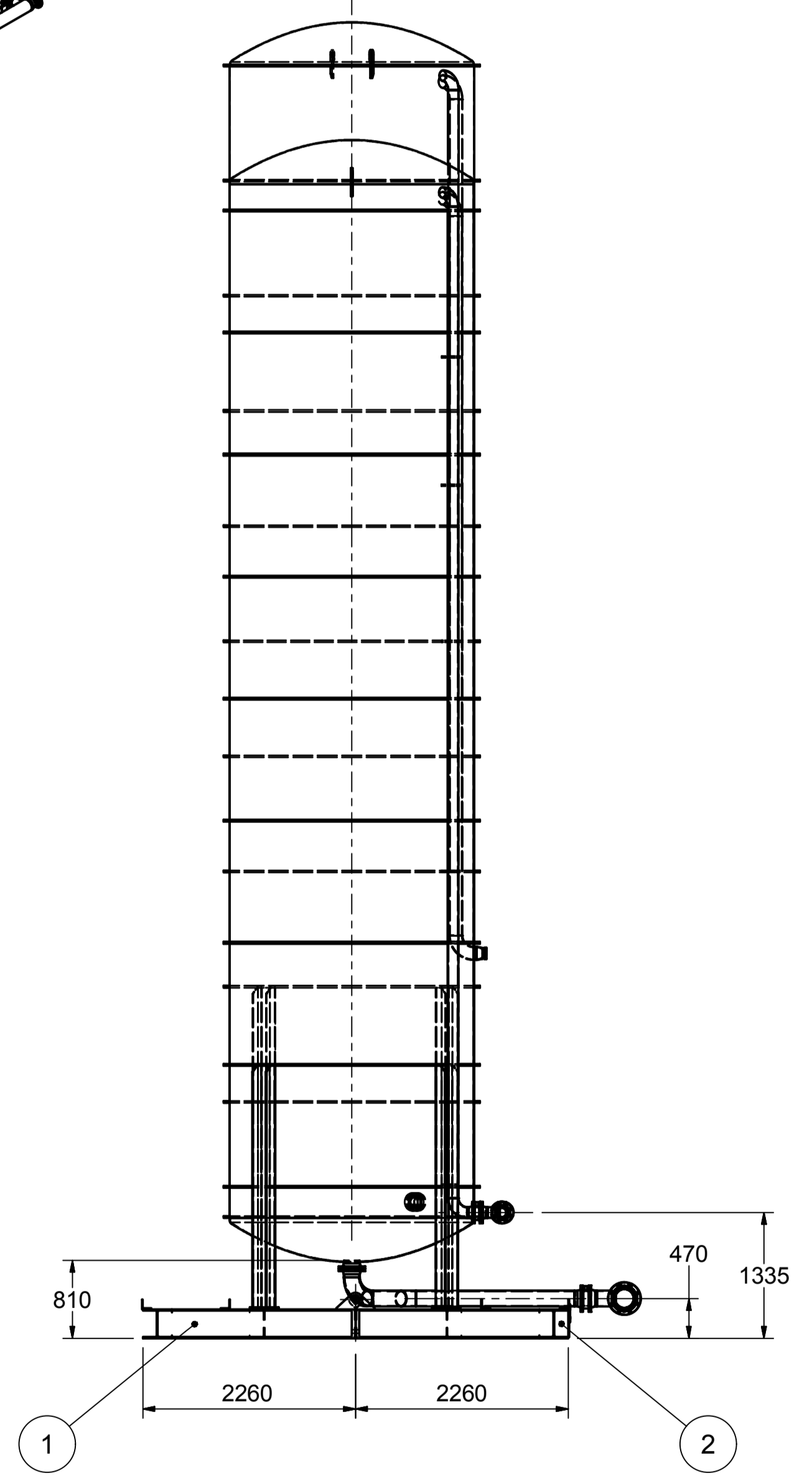
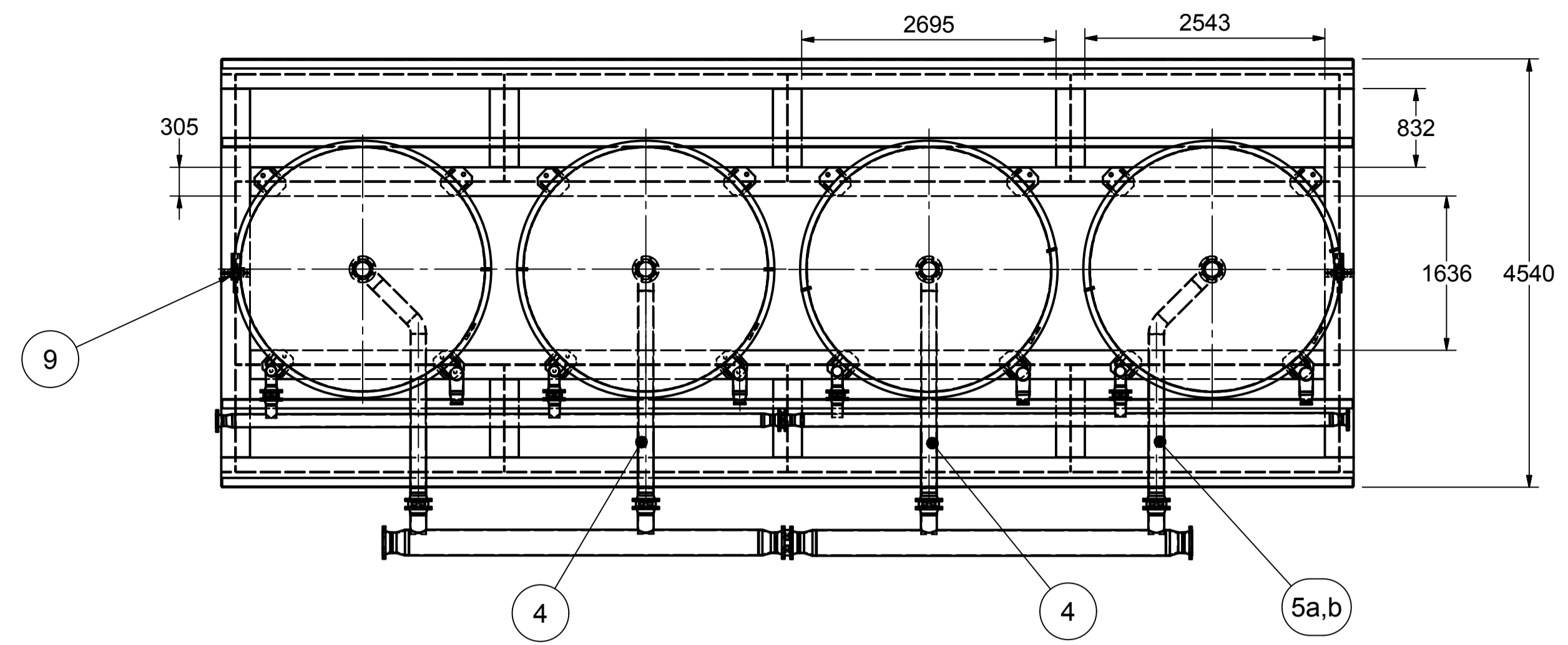


12 11 10 9 8 7 6 5 4 3 2 1



Notes and Compliances.
 AS/NZS 1170.2 : 2002
 Wind Actions.
 AS 3774 : 1997
 Loads on Bulk Solid Containers.
 AS 1554.1 : 1991
 Welding of Steel Structures.
 Vessel and frame placement should observe
 ground bearing pressures derived from total
 mass below on level ground.



Parts List					Parts List				
ITEM	QTY	DESCRIPTION	DRAW REF	MASS	ITEM	QTY	DESCRIPTION	DRAW REF	MASS
9	2	Pivot Pins	APDWBT-007	3 kg	1	1	Tank Base L/H	APDWBT-002	3320 kg
10	2	Silo outlet pipe half assy	APDWBT-008	236 kg	2	1	Tank Base R/H	APDWBT-002	3315 kg
11	1	Gate Valve DN200	TYCO	2 kg	3	2	S.S. Vessel 68 m/3	APDWBT-003	5505 kg
12	1	Silo inlet pipe half assy	APDWBT-009	136 kg	4	2	Outlet Pipe DN150	APDWBT-005	94 kg
13	1	Silo inlet pipe half assy 2	APWBT-009	135 kg	5a,b	1	Outlet Pipe DN150	APDWBT-005	100 kg
14	4	Gatevalve DN150	TYCO	1.5 kg	6	2	S.S. Vessel 61 m/3	APDWBT-004	4860 kg
15	5	Gatevalve DN100	TYCO	1 kg	7	6	Concrete C/W Standard	APDWBT-006	4666 kg
					8	4	Concrete C/W Notched	APDWBT-006	4342 kg

Total mass of Structure = 28330 kg.
 Mass of Storable Product = 1.4 tonne / m3
 Total mass of stored product = 360 Tonne Approx.

AVOPILING P/L.
 Foundation Piling Drilling Contractors

Manufacturing
 205-207 Berkeley Rd
 Unanderra N.S.W.
 2526

Main Office
 72-74 Gibbes St
 Chatswood N.S.W.
 2087

Designed by: T. Shackleton	Drawn by: T. Shackleton	Checked by:	Approved by - date:	Date: 11.7.06	Drawing No: APDWBT-001	THIRD ANGLE PROJECTION
Project No:	Contract No:	Scale: 1 : 50	Edition: 3	Sheet 1 / 7	Part No:	This drawing remains the property of Avopiling P/L, and should not be copied or reproduced without the written permission of the owner.

Description:
Bentonite Storage Tanks GA

Diaphragm Wall System.

12 11 10 9 8 7 6 5 4 3 2 1